

# Models B842P & B842SS

Ice Storage Bin



## Features:

- High impact design – dependable storage for cube or flake ice
- Quality construction
- Gray baked enamel cabinet finish
- Stainless steel door
- High impact polyethylene lining – virtually indestructible
- Non-CFC foam insulation
- Optional stainless steel cabinet
- Easy to clean and sanitize



# Model B842P & B842SS

## Technical Specifications:

### Certified Cube Storage Capacity:

**B842P:** 580 lbs. (263 kgs.) certified in accordance with ARI Standard 820-88

**B842SS:** 580 lbs. (263 kgs.) certified in accordance with ARI Standard 820-88

**Drain Connection:** 1" (3 cm) fitting can be adapted to plastic, copper or galvanized drain line

### Cabinet Finish:

**B842P:** Gray baked enamel exterior with Polyethylene bin liner. Stainless steel door

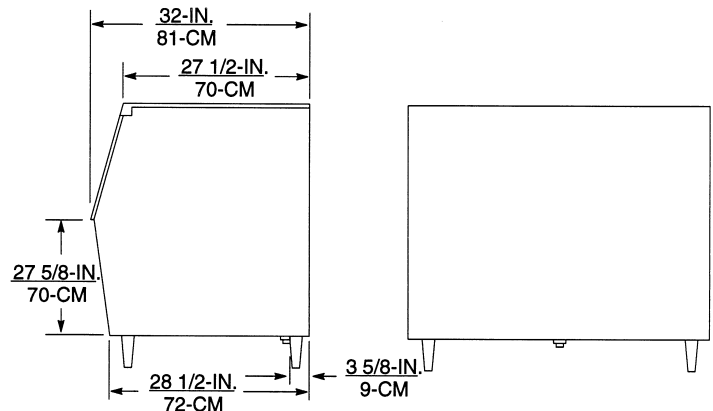
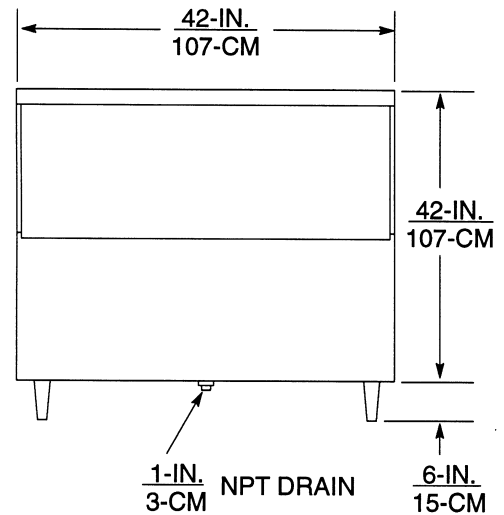
**B842SS:** Stainless steel exterior with polyethylene bin liner. Stainless steel door

**Ice storage capacity:** 800 lbs. (364 kgs.)

**Operating Weight:** 128 lbs. (364 kgs.)

**Shipping Weight:** 160 lbs. (73 kgs.)

### Agency Listings:



Part No.	Description	Ice Maker Application
B842P	Ice Storage Bin	*630/*830/*1230 Cuber series
B842SS	Ice Storage Bin	*700/*1100 Flaker series

\*Requires bin adapter



For more information or to place an order, contact your sales representative or authorized distributor.

#### In the US:

Phone: 1-800-238-3600

Fax: 1-800-535-4235

#### Outside the US:

Phone: 1-612-421-6120

Fax: 1-612-422-3297

#### IMI Cornelius Inc.

One Cornelius Place  
Anoka, MN 55303-6234  
USA